

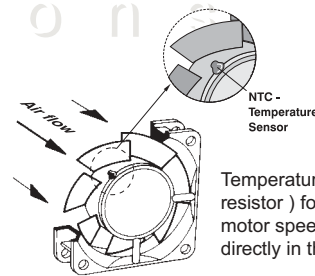
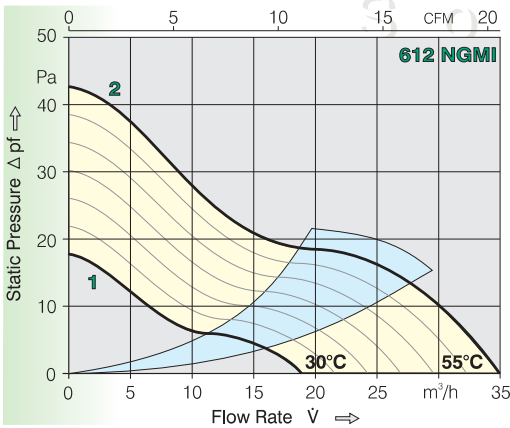


- DC fans with electronically commutated external rotor motors. Fully integrated commutation electronics.
- With electronic protection against reverse polarity and blocking.
- Fan of fibreglass reinforced plastic. PBTP housing, PA impeller.
- Air exhaust over struts. Rotational direction CW looking at rotor.
- Electrical connection via 2 leads AWG 24, TR 64. Stripped and tinned ends.
- Mass 85 g.

SERIES 600 N VARIOFAN

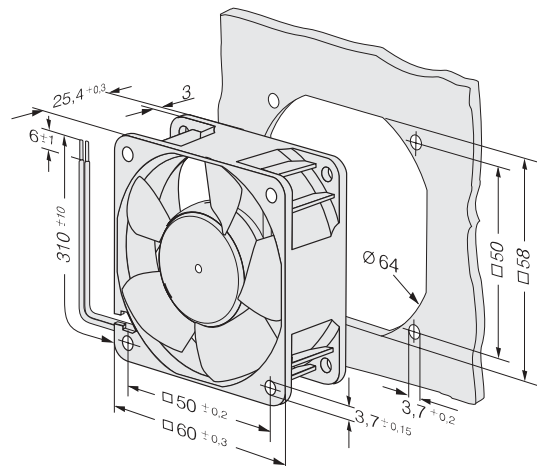
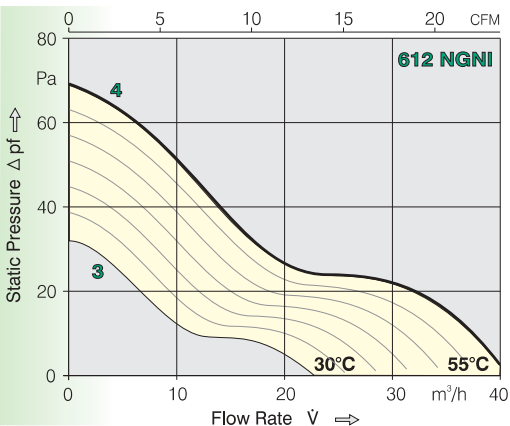
60x60x25 mm

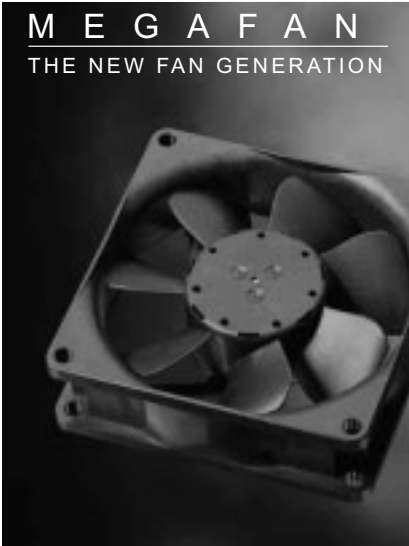
Air Flow	Air Flow	Nominal Voltage		Voltage Range		Noise		Sinter-Sleeve Bearings	Ball Bearings	Power Input	Nominal Speed	Temperature Range		Service Life L ₁₀		Curve	Type
		m ³ /h	CFM	V DC	V DC	dB(A)	bels					°C	Hours	Hours			
18	10.6	12	8...12.6	—	—	—	—	●	1.3	2150	-20...+65	80000 / 40000	1	612NGMI			
35	20.6	12	8...12.6	28	4.6	●	1.6	4100	-20...+65	80000 / 40000	2	612NGMI					
23	13.5	12	8...12.6	—	—	—	—	—	1.7	2900	-20...+65	70000 / 35000	3	612NGNI			
41	24.1	12	8...12.6	35	5.2	●	2.4	5100	-20...+65	70000 / 35000	4	612NGNI					



Temperature sensor (NTC-resistor) for controlling the motor speed is positioned directly in the air flow.

Versions with additional lead for connecting an external NTC-resistor upon request.





- DC fans with electronically commutated external rotor motors. Fully integrated commutation electronics.
- With electronic protection against reverse polarity, blocking and overloading by PTC-resistor; partially impedance protected.

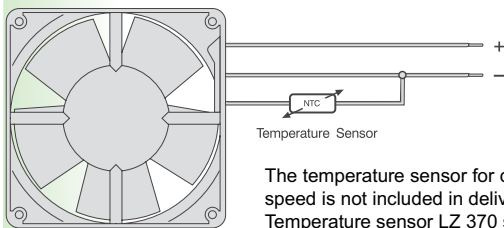
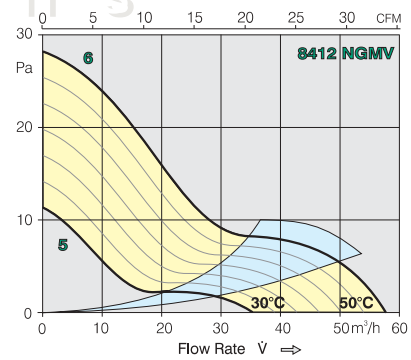
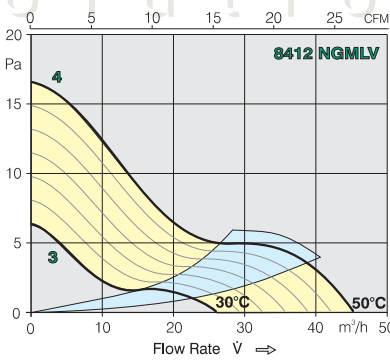
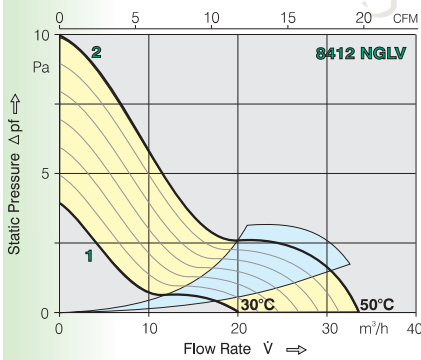
- Fan of fibreglass reinforced plastic. PBTP housing, PA impeller.
- Air exhaust over struts. Rotational direction CCW looking at rotor.
- Electrical connection via leads AWG 24, TR 64. Stripped and tinned ends.
- Mass 95 g.

SERIES 8400N VARIOFAN

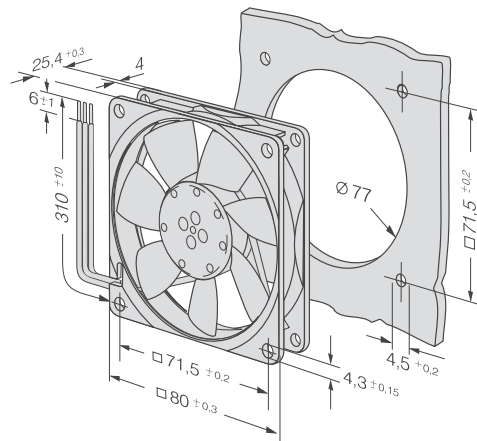
80x80x25mm

	Air Flow		Nominal Voltage		Voltage Range		Noise		Synlec-Sleeve Bearings Ball Bearings		Power Input	Nominal Speed	Temperature Range	Service Life L ₁₀		Curve	Type
	m ³ /h	CFM	V DC	V DC	dB(A)	bels	○/●	Watt	min ⁻¹	°C				Hours	Hours		
30-50 °C	20	11.8	12	10...14	<10	1)	○	0.6	900	-20...+70	80 000 / 45 000	1	8412 NGLV				
	33	19.4	12	10...14	12	3.7	○	0.8	1500	-20...+70	80 000 / 45 000	2					
30-50 °C	27	15.9	12	8...14	<10	1)	○	0.8	1200	-20...+70	80 000 / 45 000	3	8412 NGMLV				
	45	26.5	12	8...14	19	4.4	○	1.1	2050	-20...+70	80 000 / 45 000	4					
30-50 °C	35	20.6	12	8...14	<13	1)	○	1.2	1600	-20...+70	80 000 / 40 000	5	8412 NGMV				
	58	34.1	12	8...14	26	4.7	○	1.5	2600	-20...+70	80 000 / 40 000	6					

1) not measurable



The temperature sensor for controlling the motor speed is not included in delivery. Temperature sensor LZ 370 see accessories.





- DC fans with electronically commutated external rotor motors. Fully integrated commutation electronics.
- With electronic protection against reverse polarity, blocking and overloading; partially impedance protected.

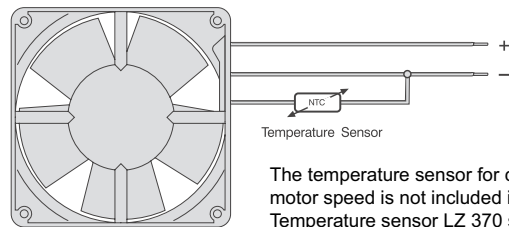
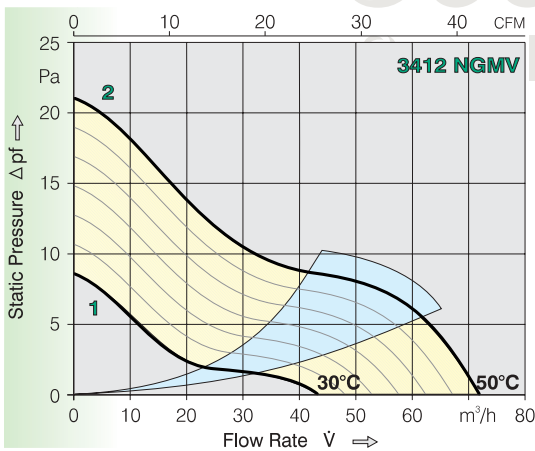
- Fan of fibreglass reinforced plastic. PBTP housing, PA impeller.
- Air exhaust over struts. Rotational direction CCW looking at rotor.
- Electrical connection via leads AWG 24, TR 64. Stripped and tinned ends
- Mass 100 g.

SERIES 3400N VARIOFAN

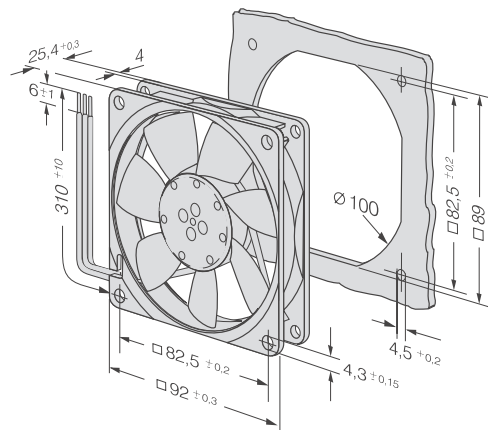
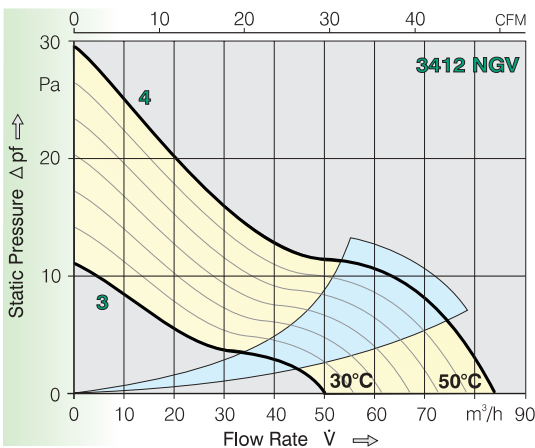
92x92x25 mm

Air Flow	Air Flow	Nominal Voltage		Noise		Sinter-Sleeve Bearings Ball Bearings	Power Input	Nominal Speed	Temperature Range	Service Life L ₁₀		Curve	Type
		V DC	V DC	dB(A)	bels					at 20 °C	at 60 °C		
30-50 °C	43	25.3	12	8...14	14	1)	1.4	1350	-20...+70	75000 / 40000	1	3412 NGMV	
50	72	42.4	8...14	28	4.3	1.8	2300				2		
30-50 °C	50	29.5	128...12.6	16	1)	1.9	1600	-20...+70	75000 / 40000	3	3412 NGV		
50	84	49.4	128...12.6	32	4.7	2.4	2700			4			

1) not measurable



The temperature sensor for controlling the motor speed is not included in delivery. Temperature sensor LZ 370 see accessories.





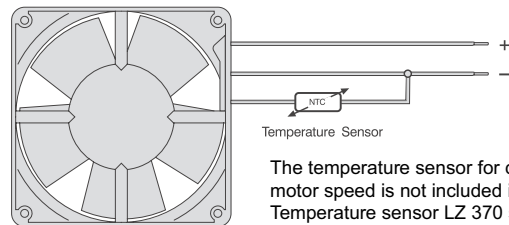
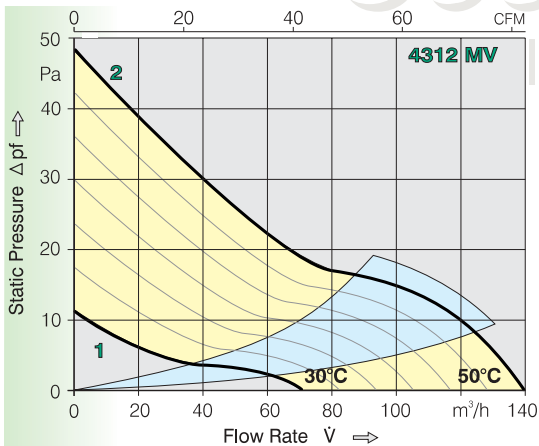
- DC fans with electronically commutated external rotor motors. Fully integrated commutation electronics.
- With electronic protection against reverse polarity, blocking and overloading by PTC-resistor; partially impedance protected.

- Fan of fibreglass reinforced plastic. PBTP housing, PA impeller.
- Air exhaust over struts. Rotational direction CW looking at rotor.
- Electrical connection via 3 leads AWG 22, TR 64. Stripped and tinned ends
- Mass 220 g.

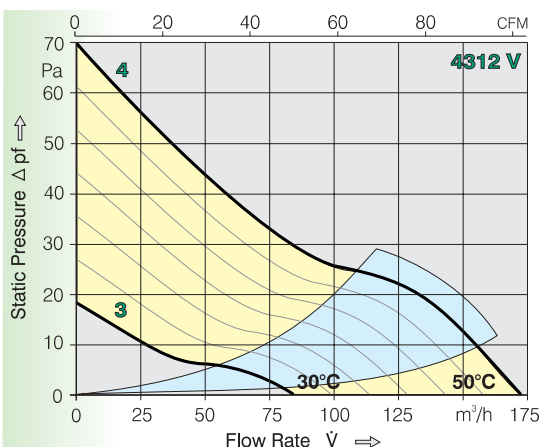
SERIES 4300 VARIOFAN

119x119x32mm

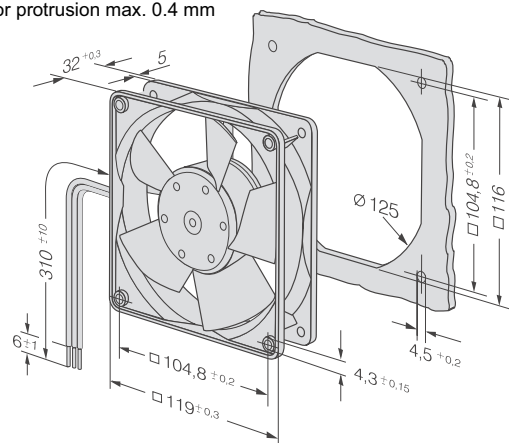
	AirFlow		Nominal Voltage		Noise		Sinter-Sleeve Bearings Ball Bearings	Power Input	Nominal Speed	Temperature Range	Service Life L ₁₀		Curve	Type
	m ³ /h	CFM	V DC	V DC	dB(A)	bels					Hours	Hours		
30-50 °C	70	41.2	128...12.6		22	3.7	○/●	1.4	1150	-20...+65	70000 / 37500		1	4312MV
	140	82.4			39	5.3	●	3.4	2300				2	
30-50 °C	85	50.0	128...12.6		29	4.2	●	1.8	1400	-20...+65	65000 / 35000		3	4312V
	170	100.0			45	5.8	●	5.4	2800				4	



The temperature sensor for controlling the motor speed is not included in delivery. Temperature sensor LZ 370 see accessories.



Rotor protrusion max. 0.4 mm





- DC fans with electronically commutated external rotor motors. Fully integrated commutation electronics. With electronic protection against reverse polarity and blocking; electronic motor current limitation in the start-up phase and when rotor is blocked.

- Metal fan housing, impeller of fibre-glass reinforced plastic PA.
- Air exhaust over struts. Rotational direction CCW looking at rotor.
- Electrical connection via 2 flat pins 3 x 0.5 mm. Housing with ground lug and screw M4 x 8 (TORX).
- Mass 780 g.

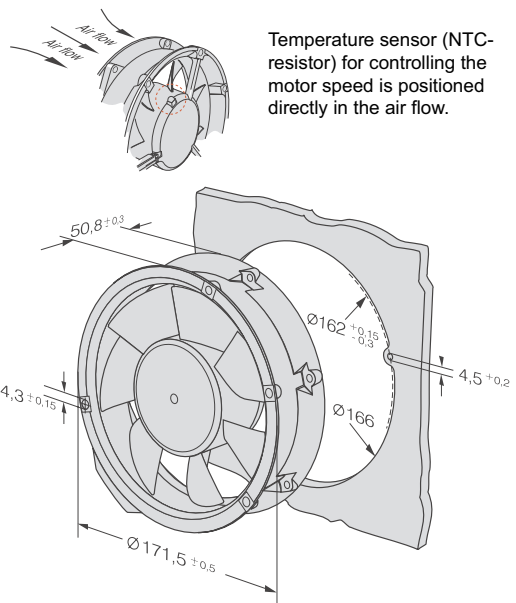
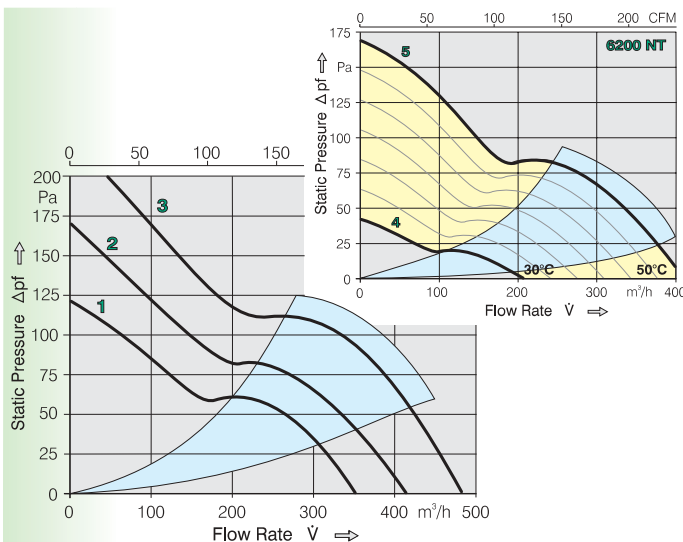
SERIES 6200 N

172Øx51mm

Air Flow		Nominal Voltage		Voltage Range	Noise	Sinter-Sleeve Bearings Ball Bearings	Power Input	Nominal Speed	Temperature Range	Service Life L ₁₀		Curve	Type
m ³ /h	CFM	V DC	V DC							dB(A)	bels		
350	206.0	12	8...15	50	5.7	●	12.0	2850	-20...+72	80 000 / 37 500		1	6212NM
350	206.0	24	12...32	50	5.7	●	12.0	2850	-20...+72	80 000 / 37 500		1	6224NM
410	241.3	24	12...28	55	6.1	●	18.0	3400	-20...+72	75 000 / 35 000		2	6224N
480	282.5	24	12...28	61	6.9	●	26.0	4000	-20...+72	65 000 / 30 000		3	6224NH
350	206.0	48	28...60	50	5.7	●	11.5	2850	-20...+72	80 000 / 37 500		1	6248NM
410	241.3	48	28...60	55	6.1	●	17.0	3400	-20...+72	75 000 / 35 000		2	6248N

Intelligent DC fans with temperature-dependent speed control

30-50 °C	205	120.6	24	12...28	35	4.5	●	8.5	1700	-10...+72	77 500 / 35 000		4	6224 NT
	410	241.3			55	6.1		18.0	3400				5	
30-50 °C	205	120.6	48	28...60	35	4.5	●	8.5	1700	-10...+72	77 500 / 35 000		4	6248 NT
	410	241.3			55	6.1		17.0	3400				5	





- DC fans with electronically commutated external rotor motors. Fully integrated commutation electronics. With electronic protection against reverse polarity and blocking; electronic motor current limitation in the start-up phase and when rotor is blocked.

- Metal fan housing, impeller of fibre-glass reinforced plastic PA.
- Air exhaust over struts. Rotational direction CCW looking at rotor.
- Electrical connection via 2 flat pins 3 x 0.5 mm. Housing with ground lug and screw M4 x 8 (TORX).
- Mass 760 g.

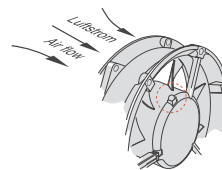
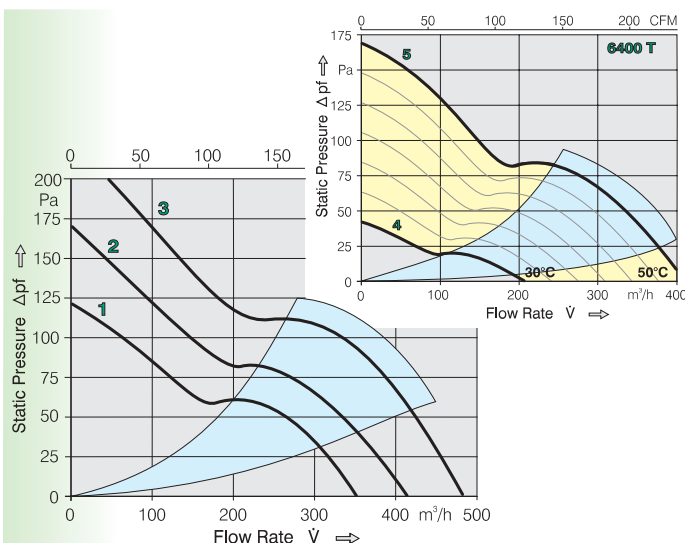
SERIES 6400

172Øx51 mm

Air Flow	Air Flow	Nominal Voltage		Voltage Range		Noise	Sinter-Sleeve Bearings		Power Input	Nominal Speed	Temperature Range	Service Life L ₁₀		Curve	Type
		m ³ /h	CFM	V DC	V DC		dB(A)	○/●				Watt	min ⁻¹		
350	97.2	12	8...15	52	6.0	●	12.0	2850	-20...+72	80 000 / 37 500	1	6412M			
350	97.2	24	12...32	52	6.0	●	12.0	2850	-20...+72	80 000 / 37 500	1	6424M			
410	113.9	24	12...28	57	6.4	●	18.0	3400	-20...+72	75 000 / 35 000	2	6424			
480	133.3	24	12...28	61	6.9	●	26.0	4000	-20...+72	65 000 / 30 000	3	6424H			
350	97.2	48	28...60	52	6.0	●	11.5	2850	-20...+72	80 000 / 37 500	1	6448M			
410	113.9	48	28...60	57	6.4	●	17.0	3400	-20...+72	75 000 / 35 000	2	6448H			

Intelligent DC fans with temperature-dependent speed control

30-50 °C	205	57.0	24	12...28	37	4.9	●	8.5	1700	-10...+72	77 500 / 35 000	4	6424 T
	410	113.9			57	6.4		18.0	3400			5	
30-50 °C	205	57.0	48	28...60	37	4.9	●	8.5	1700	-10...+72	77 500 / 35 000	4	6448 T
	410	113.9			57	6.4		17.0	3400			5	



Temperature sensor (NTC-resistor) for controlling the motor speed is positioned directly in the air flow.

